

indu+ 900 WOK

DESIGN

- 4 cooking zones: 3 flat and 1 wok
- latest generation induction
- independent inductors
- high efficiency
- 2 timers, simultaneously usable
- 2 independent boosters
- egg-timer
- pan detection
- keeping warm function
- flat built-in possibility
(intervention from beneath)

EASE OF USE

- central intuitive command via touch control
- digital display of power
(1 - 9 / booster)
- easy to clean vitroceramic glass

INCLUDED ACCESSORIES

- wok pan and wok frame

SECURITY

- boil over protection
- safety against overheating of the cooking plate
- child lock
- residual heat indication
- automatic stop
- pause function



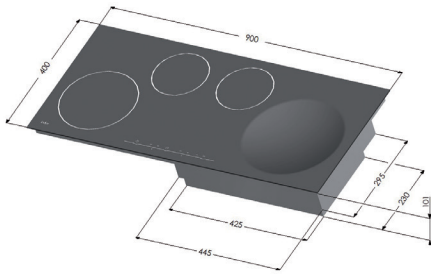
indu+ 900 WOK

TECHNICAL INFORMATION

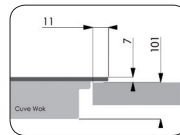
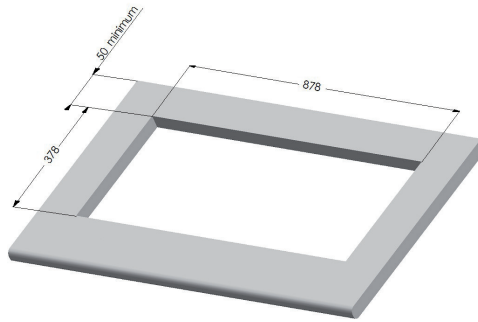
- total power consumption 7400W
- cooking zone left front 2300W, 3200W booster, 220 mm diameter
- cooking zone left back 1400W, 1800W booster, 155 mm diameter
- wok zone 2300W, 3200W booster, 250 mm diameter
- cooking zone right back 1400W, 1800W booster, 155 mm diameter
- outside measurements 900 mm x 400 mm
- built-in measurements 875 mm x 375 mm
- thickness glass 6 mm
- total height 101 mm

ref. 132.900.040

COOKING PLATE



BUILT-ON



BUILT-IN

